



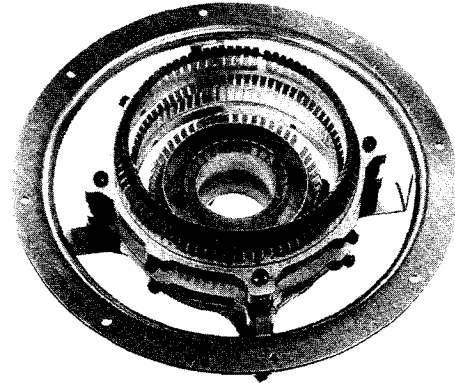
TECHNICAL DATA

SK-300A AIR-SYSTEM SOCKET

The EIMAC SK-300A Air-System Socket is recommended for use at frequencies up to 30 MHz with the listed tube types. The socket is an improved version of the now obsolete SK-300, with significantly lower pressure drop at the air-flow rates used with these tube types. EIMAC Air-System chimneys are available for the air-cooled tubes.

Cooling air passes through the socket and is then guided to the anode cooling fins of the air-cooled tubes by the air chimney, thus assuring cooling of the socket contact fingers, the base of the tube, the tube envelope and then the anode.

For VHF applications the SK-360 socket should be used. A water-cooled socket, the Y632D, is available for use with water-cooled tube types when forced-air cooling of the base is not desirable.



BASE CONNECTION

The SK-300A Air-System Socket consists of four concentric rings of spring-finger contacts. The socket is provided with two filament connectors, each with a 1/4-inch diameter hole for making connection to the inner and outer filament contacts. One 6-32 stud terminal is provided for dc connection to the screen grid. The rf connection to the screen grid may be made directly to the contact collet by means of four 6-32 tapped holes. Four 6-32 tapped holes are also provided for making connection to the control grid. The four contact rings (collet assemblies) are shown on the outline drawing.

MAXIMUM WORKING VOLTAGE

Screen Grid	3000 Vdc
Control Grid	3000 Vdc

MATERIALS AND FINISHES

The socket body is made from silver plated brass. The contact fingers in the four collets are non-ferrous beryllium copper spring alloy, heat treated for spring action and silver plated for good rf conductivity.

INSTALLATION

The SK-300A Air-System Socket can be mounted on a chassis deck, partition or in a pressurized compartment. Chassis mounting is accomplished by cutting a 7-3/16" (18.25 cm) diameter hole in the chassis deck or partition. The socket is then placed in the hole and fastened in place by 8 6-32 machine screws through the 8 holes provided for fastening. The SK-300A is recommended for the tubes listed, with the chimney shown.

<u>Tube Type</u>	<u>Chimney</u>	<u>Tube Type</u>	<u>Chimney</u>
4CX5000A/8170	SK-306	4CX15,000J/8910	SK-316
4CX5000J/8909	SK-306	4CX15,000R	SK-316
4CX5000R/8170W	SK-306	4CPW10,000R/9016	none *
4CX10,000D/8171	SK-1306	4CW10,000A/8661	none *
4CX10,000J	SK-1306	4CW10,000B	none *
4CX12,000A/8989	SK-336	4CW25,000A	none *
4CX15,000A/8281	SK-316	4CW25,000B	none *

* water cooled anode; tube base forced-air cooling required

NET WEIGHT, SK-300A Air-System Socket (Approx) 3.3 lbs; 1.5 kg
 CAPACITANCE grid to ground (approximate), with screen grid at rf ground potential 30 pF

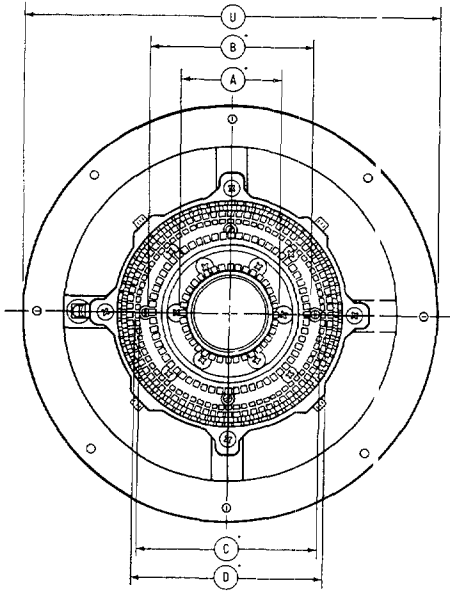
MAINTENANCE PARTS

If repair or maintenance of the SK-300A is required the various component assemblies and parts are available. A cross-section drawing is included in this data sheet for replacement parts identification. The drawing is a view of the socket with all individual parts or assemblies shown, with the EIMAC part number and the quantity of the item used in the socket. PartsKit300 is available and contains the component parts listed at the right.

<u>Socket Part</u>	<u>Quantity</u>	<u>EIMAC P/N</u>
Inner Filament Collet Assy	1	001837
Outer Filament Collet Assy	1	001838
Bushing	1	154176
Teflon® Insulator	2	001820
Screen Grid Collet Spring	1	149297
Post Insulator	4	015379
Sleeve Insulator	4	015380



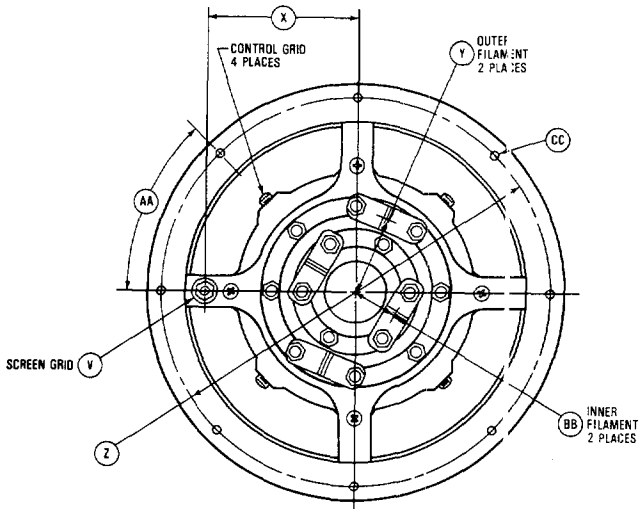
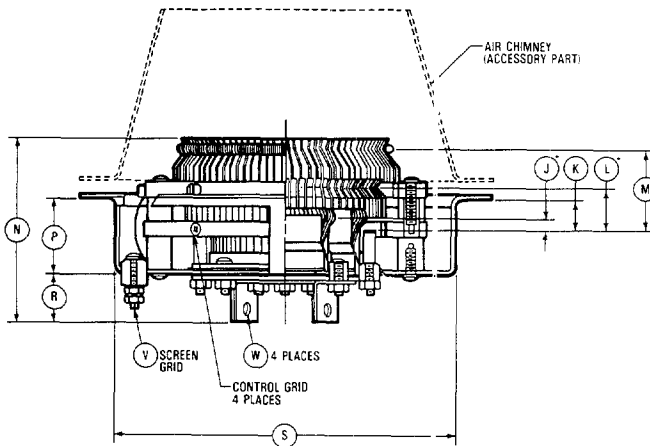
SK-300A



DIM	INCHES			MILLIMETERS		
	MIN	MAX	REF	MIN	MAX	REF
A	2.001	2.061		50.82	52.35	
B	3.251	3.311		82.57	84.10	
C	3.672	3.732		93.27	94.79	
D	3.880	3.940		98.55	100.08	
J	0.200	0.280		5.08	7.11	
K	0.600	0.695		15.24	17.65	
L	0.818	0.907		20.78	23.04	
M	1.559	1.699		39.60	43.15	
N	3.513	3.663		89.23	93.04	
P	1.444	1.530		36.68	38.86	
R	0.887	0.963		22.53	24.46	
S	6.720	6.785		170.69	172.34	
U	8.220	8.266		208.79	209.96	
V	6-32 NC-2A STUD					
W	0.235	0.265		5.97	6.73	
X	3.000	3.030		76.20	76.96	
Y			1.575			40.00
Z	7.730	7.770		196.34	197.36	
AA	45° TYPICAL					
BB			0.950			24.13
CC	0.140	0.154		3.56	3.91	

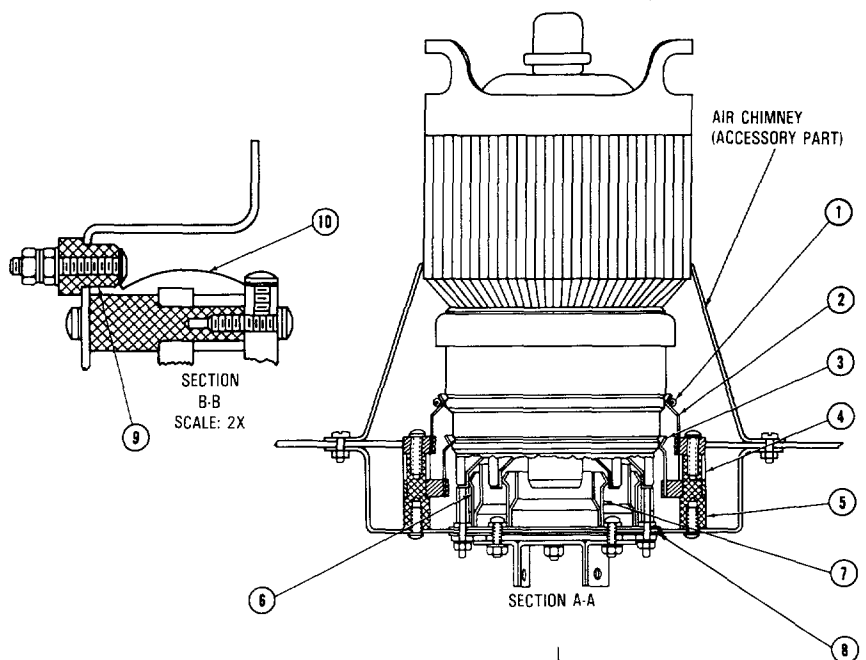
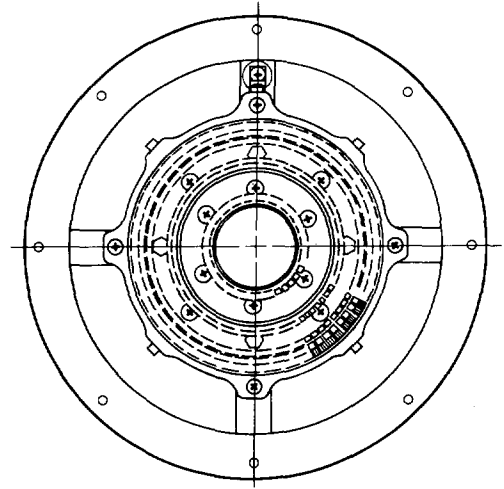
NOTES:

1. REF DIMENSIONS ARE FOR INFO ONLY & ARE NOT REQUIRED FOR INSPECTION PURPOSES.
2. TOLERANCES ARE NOT CUMULATIVE.
3. (*)CONTACT SURFACES.



REPLACEMENT PARTS FOR MAINTENANCE

PART#	DESCRIPTION	QUANTITY
① 149297	COLLET SPRING	1
② 115740	SCREEN GRID COLLET ASSY.	1
③ 115738	CONTROL GRID COLLET ASSY.	1
④ 015380	SLEEVE INSULATOR	4
⑤ 015379	POST INSULATOR	4
⑥ 001838	OUTER FILAMENT COLLET ASSY.	1
⑦ 001837	INNER FILAMENT COLLET ASSY.	1
⑧ 001820	FILAMENT COLLET INSULATOR	2
⑨ 154176	BUSHING	1
⑩ 115735	SCREEN CONTACT CONN.	1



**CROSS-SECTION OF SK-300A
SHOWING 4CX5000A WITH SK-306**

